

Works great in **narrow spaces** and on **off-roads!**

Compact Mini Dumper

WB06DB α

Max.Loading capacity **600kg**



Overall Width 780mm
Enables entry into narrow spaces.
Useful for transportation in densely populated areas, on sites where large machines cannot enter.



Simple Operation
Simplified controls for complex operation.



High-performance Engine
Equipped Kubota Engine OC60-E4
Vertical, liquid-cooled
4-cycle diesel engine.

What's Special?



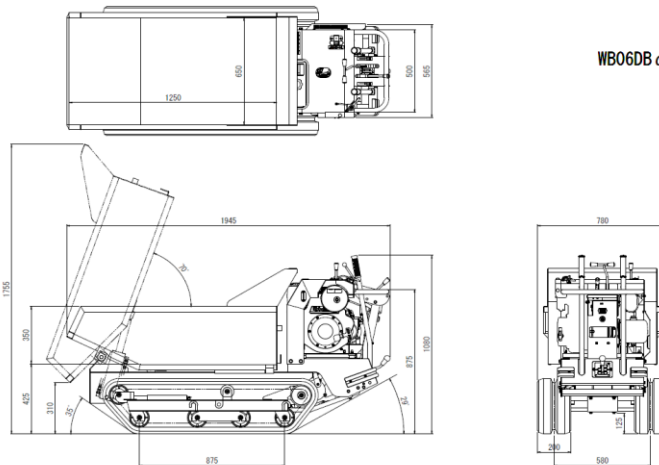
Sturdy Doors

Excellent durability. Useful for carrying soil containing water or heavy and solid materials such as gravel, rocks, etc.



Traveling Performance

Track rollers are made of cast metal for superior durability. Long ground contact length provides excellent stability even when loaded!



Machine Size			Engine		
Overall Length	mm	1,955	Type	-	Oil&Air-cooled Diesel Engine / Kubota OC60
Overall Width	mm	780	Output/Rotation	PS/rpm	3.7(4.4)/1,700
Overall Height	mm	1,080	Displacement	cc	254
Ground Clearance	mm	125	Starting method	-	Cell (Recoil attached)
Machine Weight	kg	380	Fuel Tank Capacity	L	3.6
Crawler			Bucket Type		
Crawler Centre	mm	580	Bucket Type	-	Dump
Ground Contact	mm	875	Floor Height	mm	425
Width	mm	200	Overall Length	mm	1,250
Travel			Overall Width	mm	650
Operating	-	Drum Brake Type	Overall Height	mm	350
Transmission	-	F3·R2	Max. Loading Capacity	kg	600
Speed			Deck Body Capacity	m ³	0.24
Forward	km/h	(1.2)1.6/(2.4)3.1/(3.8)5.0	Dumping Angle	°	60
Reverse	km/h	(1.1)1.5/(2.3)3.0			



WINBULL YAMAGUCHI CORPORATION
Website: <http://winbull.co.jp/>

Head Office (Factory, Trading Division, Domestic Sales Division) :
399 Tojitsu, Kato-shi, Hyogo Pref., Japan, 673-1434

Kobe Office (Overseas Division) :
Park Court Motomachi WEST 5F,
6-1-4 Motomachidori, Chuo-ku, Kobe, Hyogo Pref., Japan, 650-0022