

Max.Loading capacity **600kg**

WB06DHL α

Effective work

with DUMP & LIFT !



Compact! Overall Width 725mm



Simple Operation
Simplified controls for complex operation.

High-performance Engine

Equipped diesel engine. Equipped Kubota Engine OC60-E4 Vertical, liquid-cooled 4-cycle diesel engine. 4.0kw / 5.5ps.



**Floor
Height
MAX.
1,430mm**



High-lift and Dump

High lifting and dumping function work great even in narrow spaces and on off-roads!

What's Special?

In what situation?

Carrying...

- Soil containing water
- Heavy and solid materials such as gravel, rocks, etc.



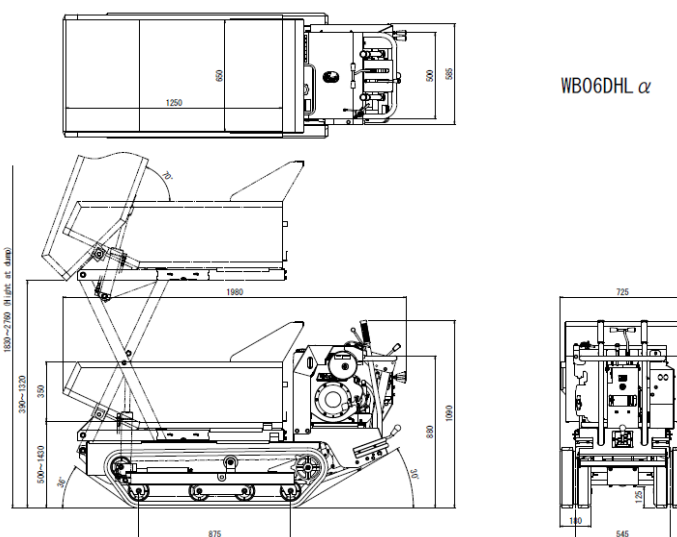
Traveling Performance

Track rollers are made of cast metal for superior durability. Long ground contact length provides excellent stability even when loaded.

Sturdy Bucket

Excellent durability.

Machine Size			Engine		
Overall Length	mm	1,980	Type	-	Oil&Air-cooled Diesel Engine / Kubota OC60
Overall Width	mm	725	Output/Rotation	PS/rpm	3.7(4.4)/1,700
Overall Height	mm	1,090	Displacement	cc	254
Ground Clearance	mm	125	Starting method	-	Cell (with Recoil)
Machine Weight	kg	465	Fuel Tank Capacity	L	3.6
Crawler			Bucket Type		
Crawler Centre	mm	545	Bucket Type	-	Dump & Lift
Ground Contact	mm	875	Floor Height	mm	500-1,430
Width	mm	180	Overall Length	mm	1,250
Travel			Overall Width	mm	650
Operating	-	Drum Brake Type	Overall Height	mm	350
Transmission	-	F3·R2	Max. Loading Capacity	kg	600
Speed			Deck Body Capacity	m ³	0.24
Forward	km/h	(1.4)1.8/(2.7)3.5/(4.4)5.7	Dumping Angle	°	70
Reverse	km/h	(1.3)1.7/(2.6)3.4	Tipping Height	mm	1,320



WINBULL YAMAGUCHI CORPORATION
 Website: <http://winbull.co.jp/>

Head Office (Factory, Trading Division, Domestic Sales Division) :
 399 Tojitsu, Kato-shi, Hyogo Pref., Japan, 673-1434

Kobe Office (Overseas Division) :
 Park Court Motomachi WEST 5F,
 6-1-4 Motomachidori, Chuo-ku, Kobe, Hyogo Pref., Japan, 650-0022