

Works great in narrow spaces and on off-roads!

Compact Mini Dumper

WB06D α



Max.Loading capacity 600kg



Overall Width 780mm

Enables entry into narrow spaces.

Useful for transportation in densely populated areas, on sites where large machines cannot enter.



Simple Operation

Simplified controls for complex operation.



High-performance Engine

Equipped Kubota Engine OC60-E4 Vertical, liquid-cooled 4-cycle diesel engine. 4.0kw / 5.5ps.

What's Special?



Sturdy Doors

Excellent durability. The support can be removed, which is also very useful for transportation such as long and wide materials.

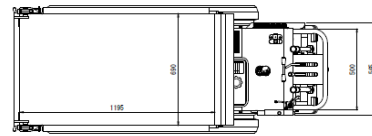


Traveling Performance

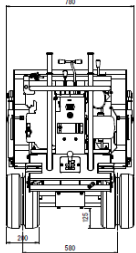
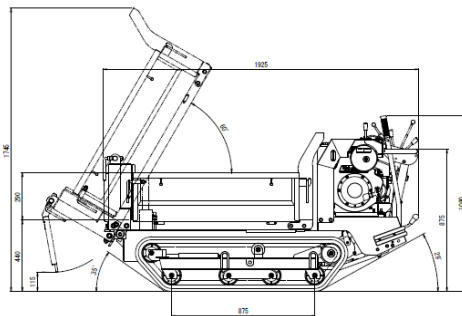
Track rollers are made of cast metal for superior durability. Long ground contact length provides excellent stability even when loaded!



Machine Size		
Overall Length	mm	1,970
Overall Width	mm	780
Overall Height	mm	1,080
Ground Clearance	mm	125
Machine Weight	kg	410
Crawler		
Crawler Centre	mm	580
Ground Contact	mm	875
Width	mm	200
Travel		
Operating	-	Drum Brake Type
Transmission	-	F3·R2
Speed		
Forward	km/h	1.6/3.1/5.0
Reverse	km/h	1.5/3.0
Engine		
Type	-	Oil&Air-cooled Diesel Engine / Kubota OC60
Output/Rotation	PS/rpm	3.7(4.4)/1,700
Displacement	cc	254
Starting method	-	Cell (Recoil attached)
Fuel Tank Capacity	L	3.6
Bucket Type		
Bucket Type	-	Dump
Floor Height	mm	440
Overall Length	mm	1,195
Overall Width	mm	690
Overall Height	mm	290
Max. Loading Capacity	kg	600
Deck Body Capacity	m ³	0.24
Dumping Angle	°	60



WBO6 α



WINBULL YAMAGUCHI CORPORATION
Website: <http://winbull.co.jp/>

Head Office (Factory, Trading Division, Domestic Sales Division) :
399 Tojitsu, Kato-shi, Hyogo Pref., Japan, 673-1434

Kobe Office (Overseas Division) :
Park Court Motomachi WEST 5F,
6-1-4 Motomachidori, Chuo-ku, Kobe, Hyogo Pref., Japan, 650-0022