

You can find out the best Crawler Carrier !

with High Performance Stability & Easy Operability!!

WB12Y

Max.Loading capacity 1,200kg



Comfortable Space

Enable ride from both side & operate without stress.



Comfortable Operation

Simple lever / pedal & make easy operation.



Overall Width 950 mm

Compact body can through narrow space & have Great advantage on rough road.

What's Special?



Full open engine cover
Easy maintenance by setting engine under the seat.



Flat Space
The side doors can be removed, which is also very useful for transportation such as long and wide materials.



Engine
Kubota D902-E4 engine.
Engine Spec 10.8kw /14.7PS.



HST Pedal
Can drive easily to forward & reverse by HST without switching lever.

Center Seat

The seat gets high visibility to check R/L.

Sturdy Door

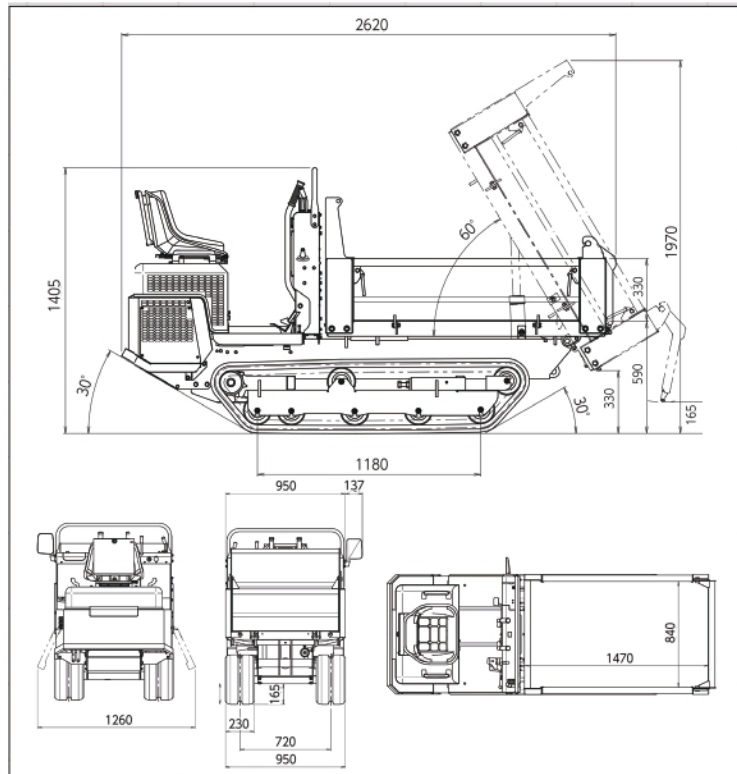
Door has 4.5 mm thickness of steel & designed to enhance toughness.



Travelling Performance

The truck roller balance helps body stability & high turn performance.

Machine Size		
Overall Length	mm	2,610
Overall Width	mm	975
Overall Height	mm	2,115
Ground Clearance	mm	145
Machine Weight	kg	885
Crawler		
Crawler Centre	mm	720
Ground Contact	mm	1,180
Width	mm	230
Travel		
Operating	-	Wet Multi-plate
Transmission	-	Continuously Variable Transmission
Speed		
Forward	km/h	0~5.6
Reverse	km/h	0~3.5
Engine		
Type	-	Liquid-cooled Diesel/Kubota Z602
Output	kw(ps)	10.8
Displacement	cc	599
Starting method	-	Cell
Fuel Tank Capacity	L	19.5
Bucket Type		
Bucket Type	-	Three-way Open & Dump
Floor Height	mm	620
Overall Length	mm	1,470
Overall Width	mm	855
Overall Height	mm	320
Max. Loading Capacity	kg	1,200
Deck Body Capacity	m ³	0.40
Dumping Angle	°	60



WINBULL YAMAGUCHI CORPORATION
Website: <http://winbull.co.jp/>

Head Office (Factory, Trading Division, Domestic Sales Division) :
399 Tojitsu, Kato-shi, Hyogo Pref., Japan, 673-1434

Kobe Office (Overseas Division) :
Park Court Motomachi WEST 5F,
6-1-4 Motomachidori, Chuo-ku, Kobe, Hyogo Pref., Japan, 650-0022