

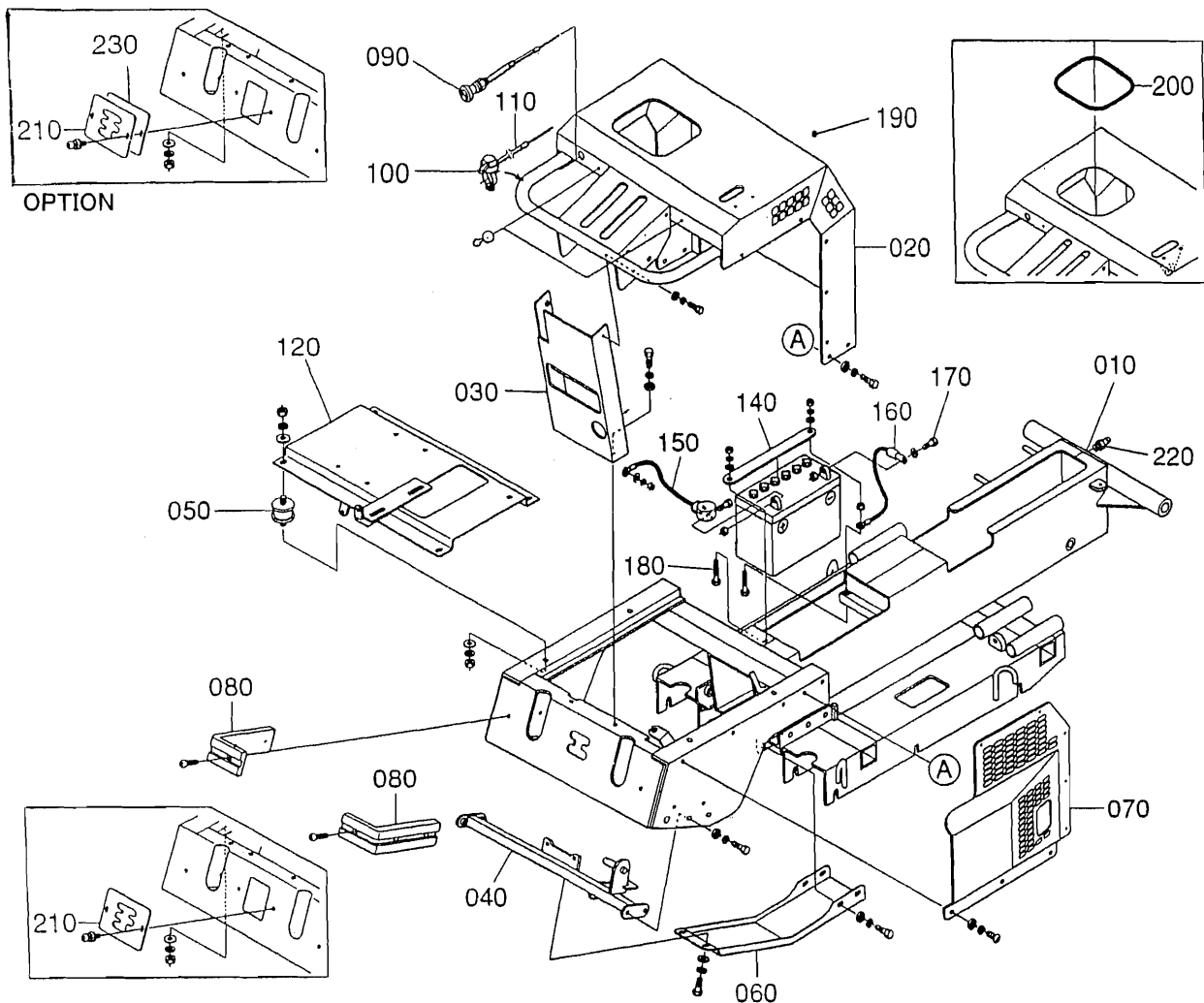
WINBULL

***ILLUSTRATED
PARTS LIST***

***YAMAGUCHI CARRIER FOR
MODEL WB05***

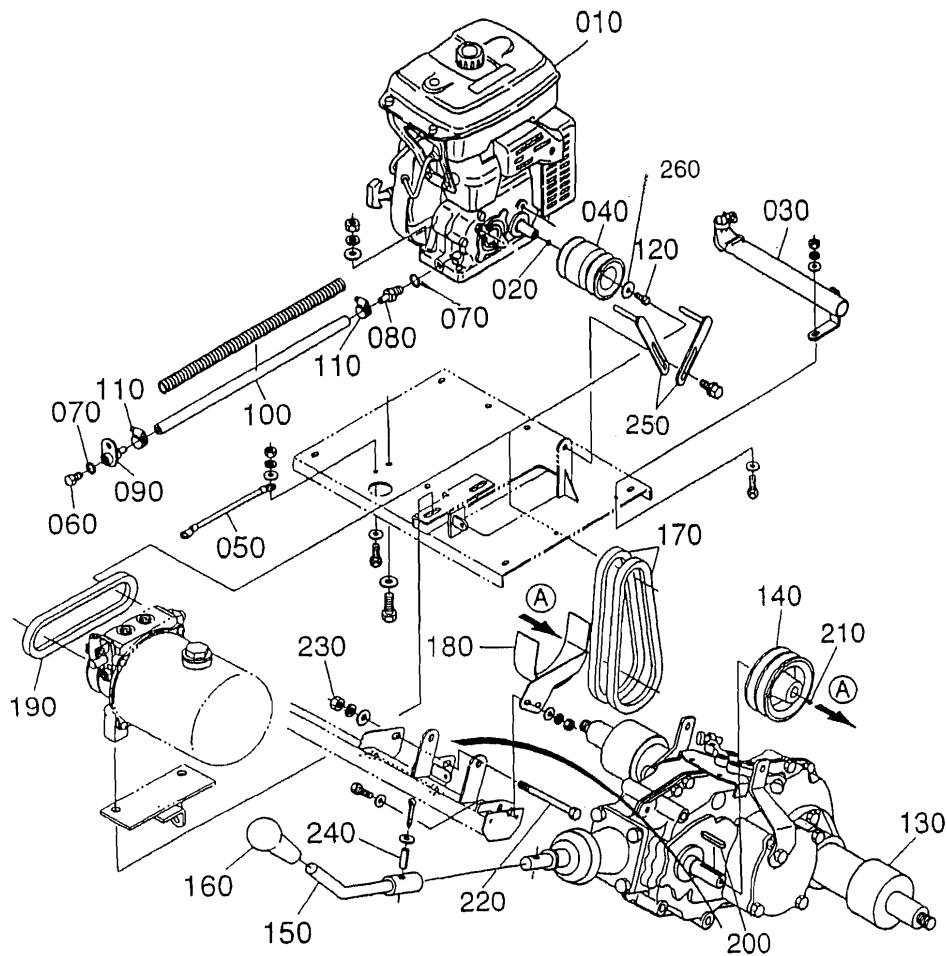


Fig. 1 FRAME



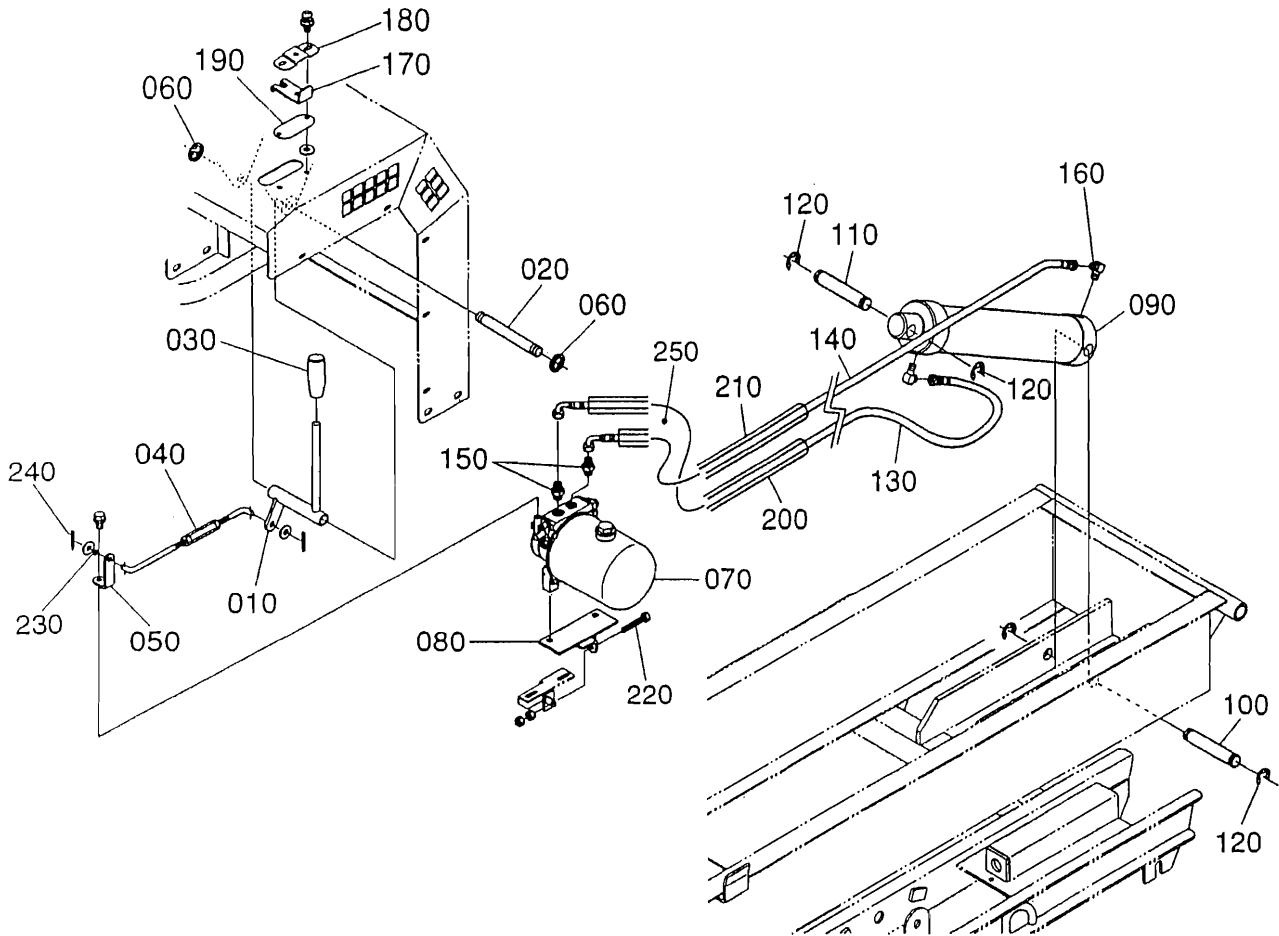
REF No. POS.No. BILD-Nr.	PARTS NO	PARTS NAME	Q'TY/S.No.	I.C.	REMARKS REMARQUES BEMERKUNGEN
			Q'TE/No.S. STUECK/S.Nr.		
010	H2600-21113	FRAME	1		
020	H2620-31113	PANEL, CONTROL	1		
030	H2620-31121	PANEL, CONTROL 1	1		
040	H2620-11222	SUPPORT, TRANSMISSION	1		
050	89950-1115-0	CUSHION	4		EA4005
060	H240Z-21140	TRANSMISSION COVER	1		
070	H240Z-43211	SIDE COVER, ENGINE	1	←	~041488
070	H2620-43210	SIDE COVER, ENGINE	1		041489~
080	89957-1142-0	RUBBER, CORNER	2		
090	89911-1215-0	WIRE, CHOKE	1		
100	21100-37001	LEVER, THROTTLE	1		
110	W0070-60001	WIRE, THROTTLE	1		
120	H2620-41212	BASE, ENGINE	1		
130	-----	BLANK	-		
140	H2620-55610	RETAINER, BATTERY	1		
150	W8011-02111	CORD, BATTERY (+)	1		
160	89950-1338-0	CORD, BATTERY (-)	1		
170	H2620-0E010	BOLT, BATTERY	2		
180	01053-50835	BOLT, BATTERY	2		
190	H2620-31130	COVER, CONTROL PANEL	1		
200	H2620-43810	TRIM	1		
210	H2620-35210	PLATE, GUIDE (R2 TYPE)	1		
220	89910-1262-0	NIPPLE	1		
230	H2620-35220	PLATE, GUIDE (R1 TYPE)	1		OPTION

Fig. 2 ENGINE, TRANSMISSION, PULLEY



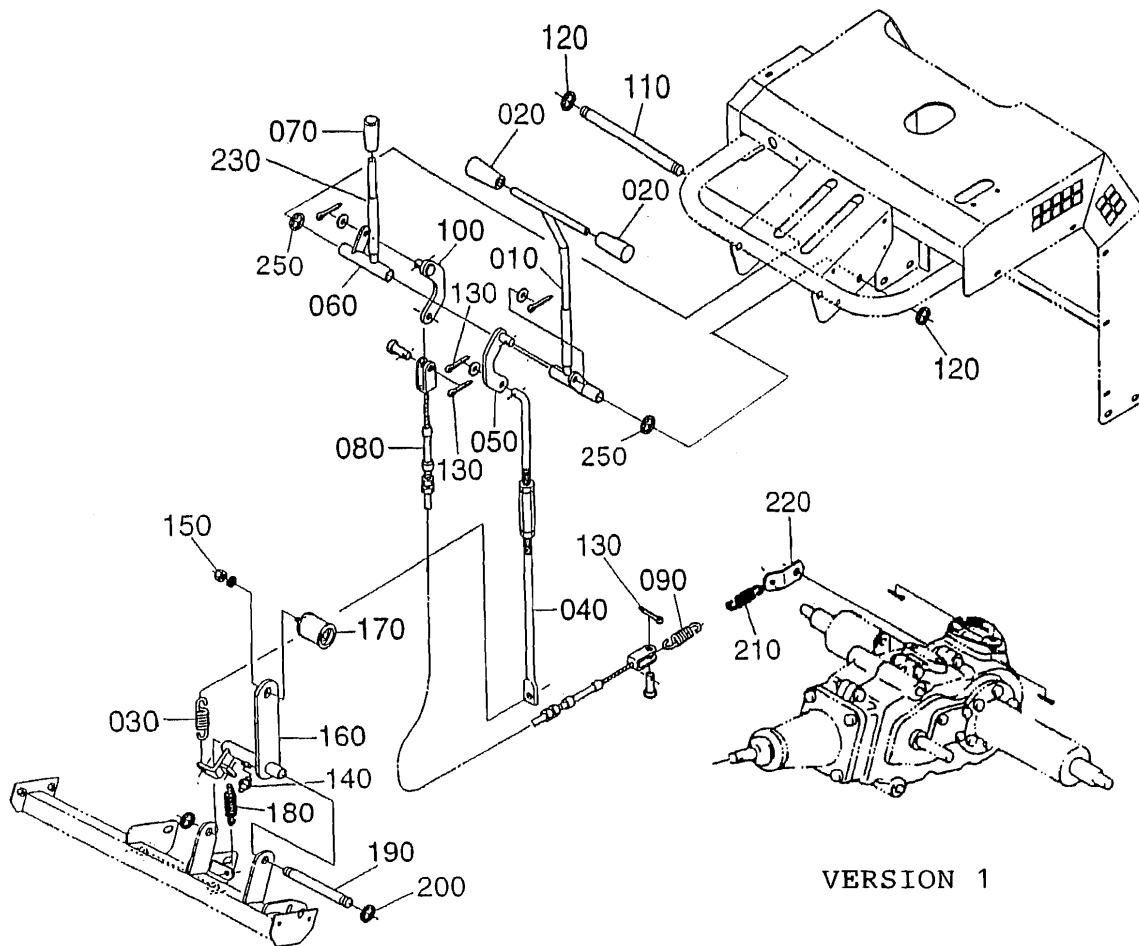
REF No. POS.No. BILD-Nr.	PARTS NO	PARTS NAME	Q'TY/S.No.	I.C.	REMARKS REMARQUES BEMERKUNGEN
			Q'TE/No.S. STUECK/S.Nr.		
010	YEMGM-18200	ENGINE (GM182)	1	←	~062624
010	YEMGB-18000	ENGINE (GB180)	1	↗	062625~
020	W405B05X035	KEY, ENGINE	1		
030	H2620-41410	PIPE, MUFFLER	1		
040	H2620-41110	PULLEY, ENGINE	1		
050	89950-1338-0	CORD, EARTH	1		
060	89956-1523-0	PLUG, DRAIN	1		
070	89956-1524-0	GASKET, DRAIN PLUG	2		
080	H2620-41911	BOLT, DRAIN PLUG	1		
090	89956-1525-0	ADAPTER, DRAIN PLUG	1		
100	H2620-41961	HOSE, DRAIN PLUG	1		
110	89956-1526-0	BAND, HOSE	2		
120	B080A08X016	BOLT, ENGINE PULLEY	1		
130	H714Y	TRANSMISSION	1		
140	H240Z-11120	PULLEY, TRANSMISSION	1		
150	H240Z-35110	LEVER, SPEED CHANGE	1		
160	89954-1184-0	GRIP, SPEED CHANGE LEVER	1		
170	W6501-01035	V-BELT	2		LB-35
180	H240Z-11171	RETAINER, BELT	1		
190	89955-1138-0	V-BELT	1		LB-22 / HYDRAULIC
200	512A0529	KEY, TRANSMISSION	1		
210	H2620-0E020	BOLT, TRANSMISSION PULLEY	1		
220	H2620-11230	BOLT, TRANSMISSION	1		
230	W9053-01010	NUT, TRANSMISSION BOLT	1		
240	H2620-0E030	PIN SET, SPEED CHANGE LEVER	1		
250	X0000-09387	RETAINER, BELT	2		
260	W207H08	WASHER, PLAIN	1		

Fig. 3 HYDRAULIC PUMP, CYLINDER



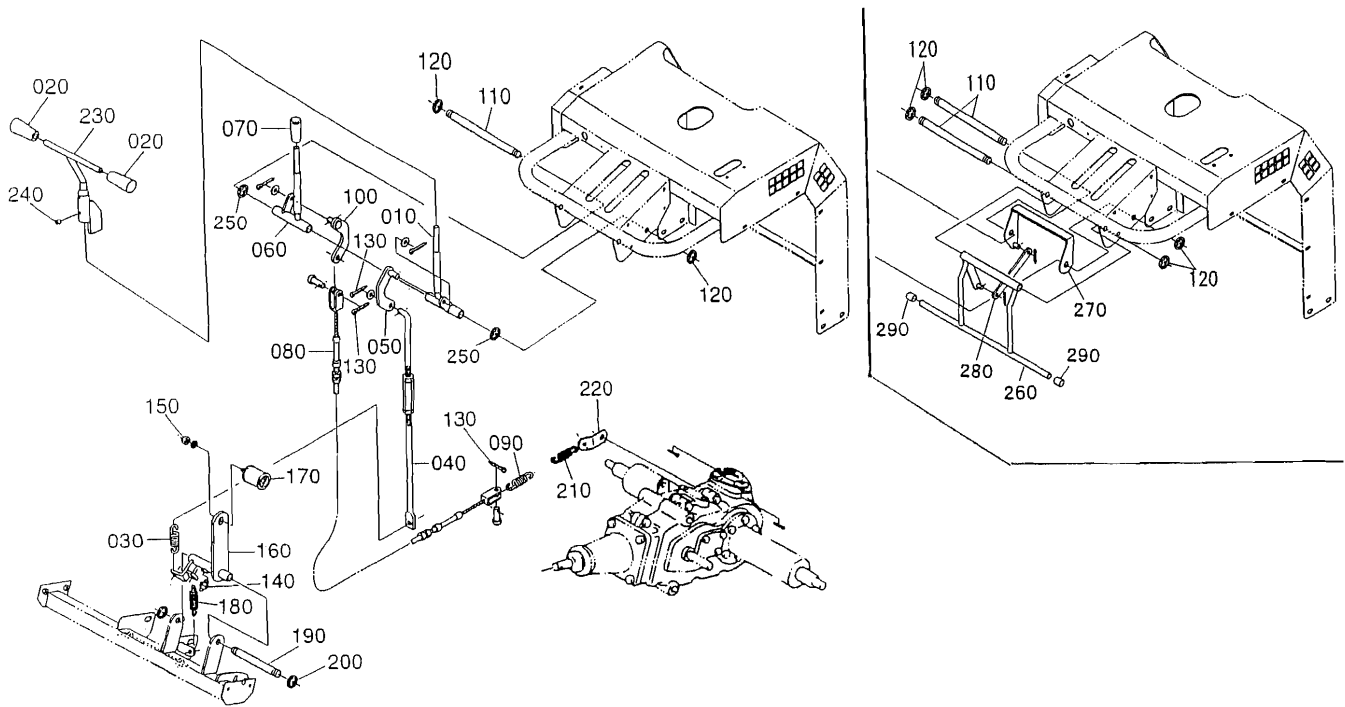
REF No. POS.No. BILD-Nr.	PARTS NO	PARTS NAME	Q'TY/S.No. Q'TE/No.S. STUECK/S.Nr.	I.C.	REMARKS REMARQUES BEMERKUNGEN
			A		
010	H240Z-36110	LEVER, DUMP	1		
020	89911-1182-0	SHAFT, DUMP LEVER	1		
030	89954-1173-0	GRIP, DUMP LEVER	1		
040	H2500-36120	ROD, DUMP LEVER	1		
050	H240Z-36170	PLATE, DUMP LEVER ROD	1		
060	04613-00090	CIR-CLIP	2		E-9
070	89911-1156-2	HYDRAULIC PUMP	1	←	~041488
070	89915-1246-0	HYDRAULIC PUMP	1	←	041489~
070	89915-1256-0	HYDRAULIC PUMP	1	←	051241~
080	89956-1165-0	PLATE, HYDRAULIC PUMP	1		
090	89911-1158-0	HYDRAULIC CYLINDER	1		
100	W6214-12000	PIN, HYDRAULIC CYLINDER	1		LOWER
110	89911-11590	PIN, HYDRAULIC CYLINDER	1		UPPER
120	04613-00150	CIR-CLIP	4		E-15
130	89915-1167-0	HYDRAULIC HOSE	1		UPPER
140	89950-1155-0	HYDRAULIC HOSE	1		LOWER
150	W7100-14214	ADAPTER	2		HYDRAULIC PUMP
160	89910-1188-0	ADAPTER	2		HYDRAULIC CYLINDER
170	H2100-36140	LOCK, DUMP LEVER 1	1		
180	H2100-36150	LOCK, DUMP LEVER 2	1		
190	H2100-36160	PLATE, DUMP LEVER LOCK	1		
200	W6551-52180	TUBE	1		UPPER
210	W6551-51930	TUBE	1		LOWER
220	01053-50855	TENSION BOLT, HYDRAULIC PUMP	1		
230	89956-1265-0	SPONGE	1		
240	89915-1187-0	R-PIN	1		
250	H2620-0E040	BAN, HOSE	1		

Fig. 4 CLUTCH LEVER -VERSION 1



REF No. POS.No. BILD-Nr.	PARTS NO	PARTS NAME	Q'TY/S.No.	I.C.	REMARKS REMARQUES BEMERKUNGEN
			Q'TE/No.S. STUECK/S.Nr.		
010	H2630-32110	LEVER, CLUTCH	1		
020	89954-1161-0	GRIP, CLUTCH LEVER	2		BLACK
030	89910-1221-0	SPRING, CLUTCH ROD	1		
040	H250Z-32133	ROD, CLUTCH LEVER	1		
050	89910-1215-0	JOINT, CLUTCH LEVER	1		
060	H2630-33110	LEVER, BRAKE	1		
070	89954-1173-0	GRIP, BRAKE LEVER	1		RED
080	W0050-31001	WIRE, BRAKE	1		
090	89910-1221-0	SPRING, BRAKE WIRE	1		
100	89910-1215-0	JOINT, BRAKE LEVER	1		
110	W6218-31300	SHAFT, LEVER	1		
120	04613-00090	CIR-CLIP	2		E-9
130	89915-1187-0	R-PIN	3		
140	89910-1262-0	NIPPLE, GREASE	1		
150	02056-50100	NUT, TENSION PULLEY	1		
160	H2620-32512	ARM, TENSION	1		
170	W6366-04900	PULLEY, TENSION	1		
180	W6006-11000	SPRING, TENSION ARM	1		
190	89911-1182-0	SHAFT, TENSION ARM	1		
200	04613-00090	CIR-CLIP	2		E-9
210	89950-1166-0	RETURN SPRING, BRAKE	1		
220	H240Z-33540	PLATE, BRAKE RETURN SPRING	1		
230	H2620-0E080	HOSE	1		
240	-----	BLANK	-		
250	04013-50120	WASHER, PLAN	2		

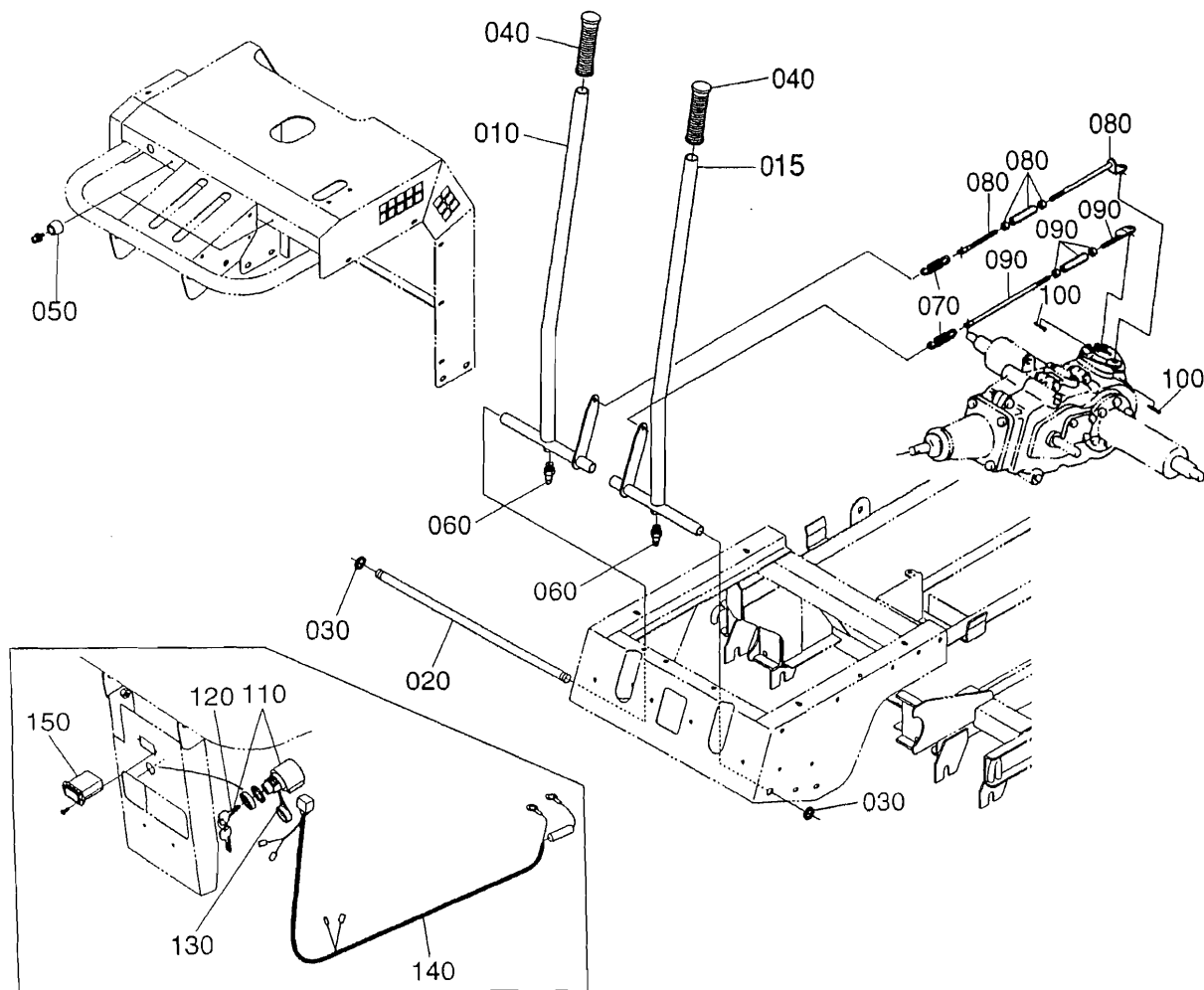
Fig. 4 CLUTCH LEVER -VERSION 2



VERSION 2

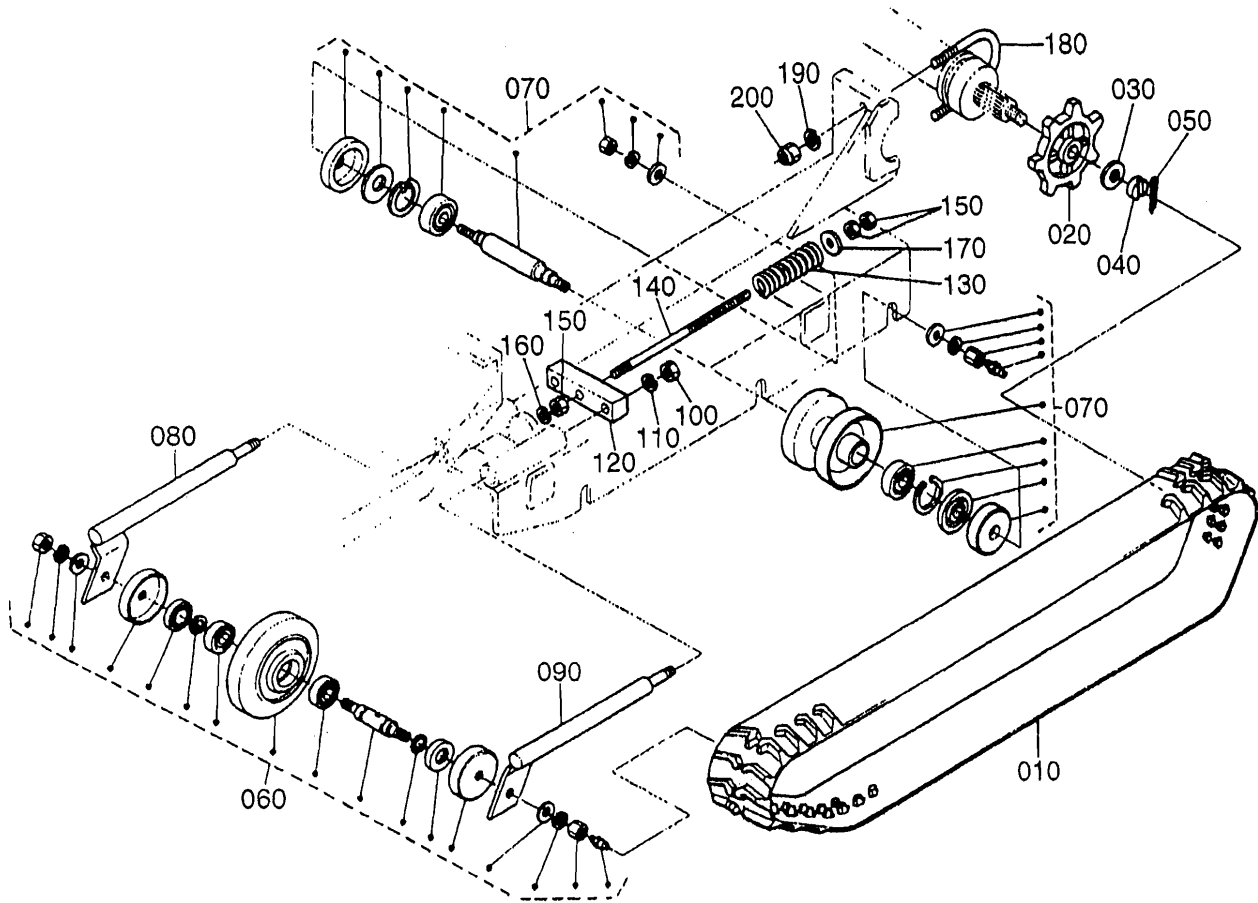
REF No. POS.No. BILD-Nr.	PARTS NO	PARTS NAME	Q'TY/S.No. Q'TE/No.S. STUECK/S.Nr.	I.C.	REMARKS REMARQUES BEMERKUNGEN
			A		
010	H2630-33211	LEVER, CLUTCH	1		
020	89954-1161-0	GRIP, CLUTCH LEVER	2		BLACK
030	89910-1221-0	SPRING, CLUTCH ROD	1		
040	H250Z-32133	ROD, CLUTCH LEVER	1		
050	89910-1215-0	JOINT, CLUTCH LEVER	1		
060	H240Z-33110	LEVER, BRAKE	1		
070	89954-1173-0	GRIP, BRAKE LEVER	1		RED
080	W0050-31001	WIRE, BRAKE	1		
090	89910-1221-0	SPRING, BRAKE WIRE	1		
100	89910-1215-0	JOINT, BRAKE LEVER	1		
110	W6218-31300	SHAFT, LEVER	1		~051241
110	W6218-31300	SHAFT, LEVER	2		051242~
120	04613-00090	CIR-CLIP	2		~051241 (E-9)
120	04613-00090	CIR-CLIP	4		051242~ (E-9)
130	89915-1187-0	R-PIN	3		
140	89910-1262-0	NIPPLE, GREASE	1		
150	02056-50100	NUT, TENSION PULLEY	1		
160	H2620-32512	ARM, TENSION	1		
170	W6366-04900	PULLEY, TENSION	1		
180	W6006-11000	SPRING, TENSION ARM	1		
190	89911-1182-0	SHAFT, TENSION ARM	1		
200	04613-00090	CIR-CLIP	2		E-9
210	89950-1166-0	RETURN SPRING, BRAKE	1		
220	H240Z-33540	PLATE, BRAKE RETURN SPRING	1		
230	H2620-32150	LEVER 2, CLUTCH	1		
240	H2620-0E050	SCREW, CLUTCH LEVER 2	2		
250	04013-50120	WASHER, PLAN	2		~051241
260	H2400-33212	LEVER, SAFTY STOPPER (REVERS)	1		051242~
270	H2400-33230	SAFTY STOPPER (REVERS)	1		051242~
280	H2400-33220	ROD, SAFTY STOPPER (REVERS)	1		051242~
290	H2620-33240	CAP, SAFTY STOPPER (REVERS)	2		051242~

Fig. 5 SIDE CLUTCH LEVER



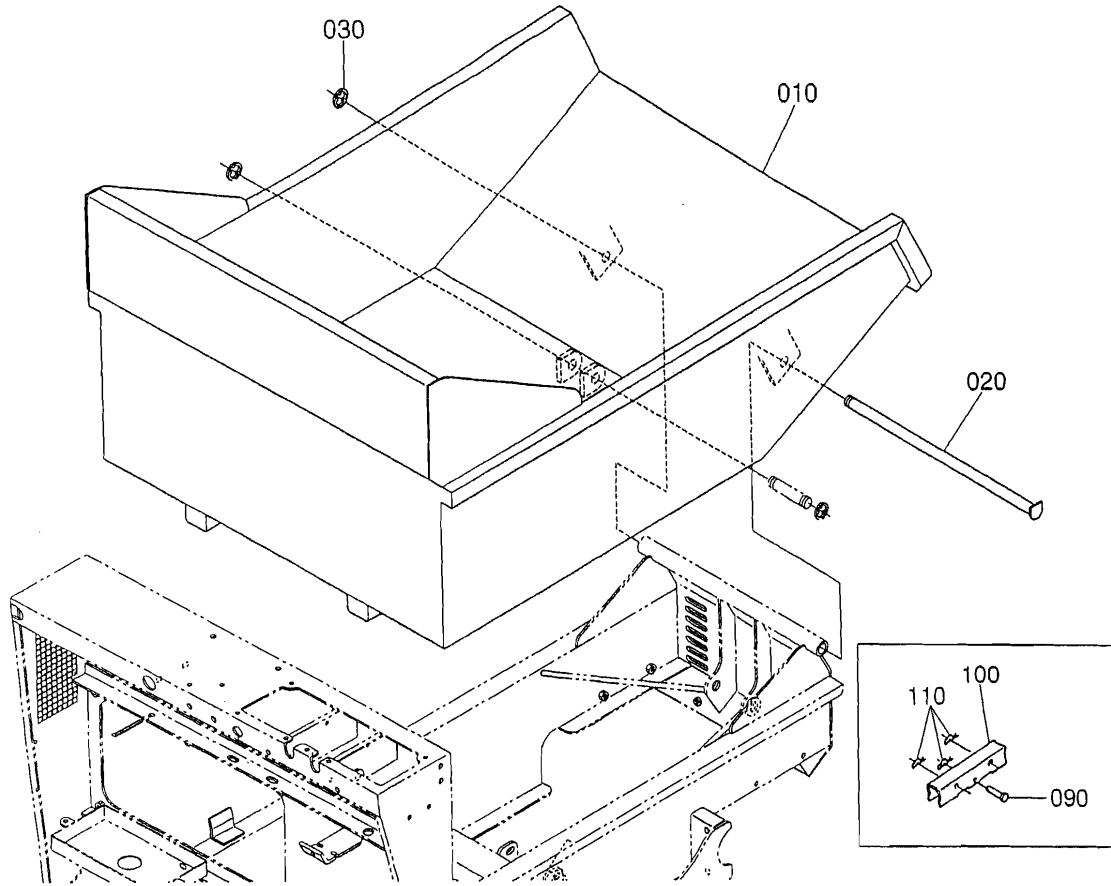
REF No. POS.No. BILD-Nr.	PARTS NO	PARTS NAME	Q'TY/S.No. Q'TE/No.S. STUECK/S.Nr.	I.C.	REMARKS REMARQUES BEMERKUNGEN
			A		
010	H24Z-34111 LH	SIDE CLUTCH LEVER LH	1		
015	H24Z-34111 RH	SIDE CLUTCH LEVER RH	1		
020	W6250-11600	SHAFT, SIDE CLUTCH LEVER	1		
030	04613-00120	CIR-CLIP	2		E-12
040	89911-1165-0	GRIP, SIDE CLUTCH LEVER	2		
050	89910-1209-0	RUBBER, STOPPER	2		
060	89910-1262-0	GREASE NIPPLE	2		
070	89950-1169-0	SPRING, SIDE CLUTCH LEVER	2		
080	H2620-0E060	ROD 1, SIDE CLUTCH LEVER	1		
090	H2620-0E070	ROD 2, SIDE CLUTCH LEVER	1		
100	89915-1187-0	R-PIN	2		
110	KE80020AA	ASSY, STARTER SWITCH	1		
120	KE90187AA	KEY, STARTER SWITCH	1		
130	69110-53320	CAP, STARTER SWITCH	1		
140	H2620-55150	HARNESS, STARTER SWITCH	1		
150	89954-1308-0	METER, HOUR	1		

Fig. 6 RUBBER CRAWLER, ROLLER



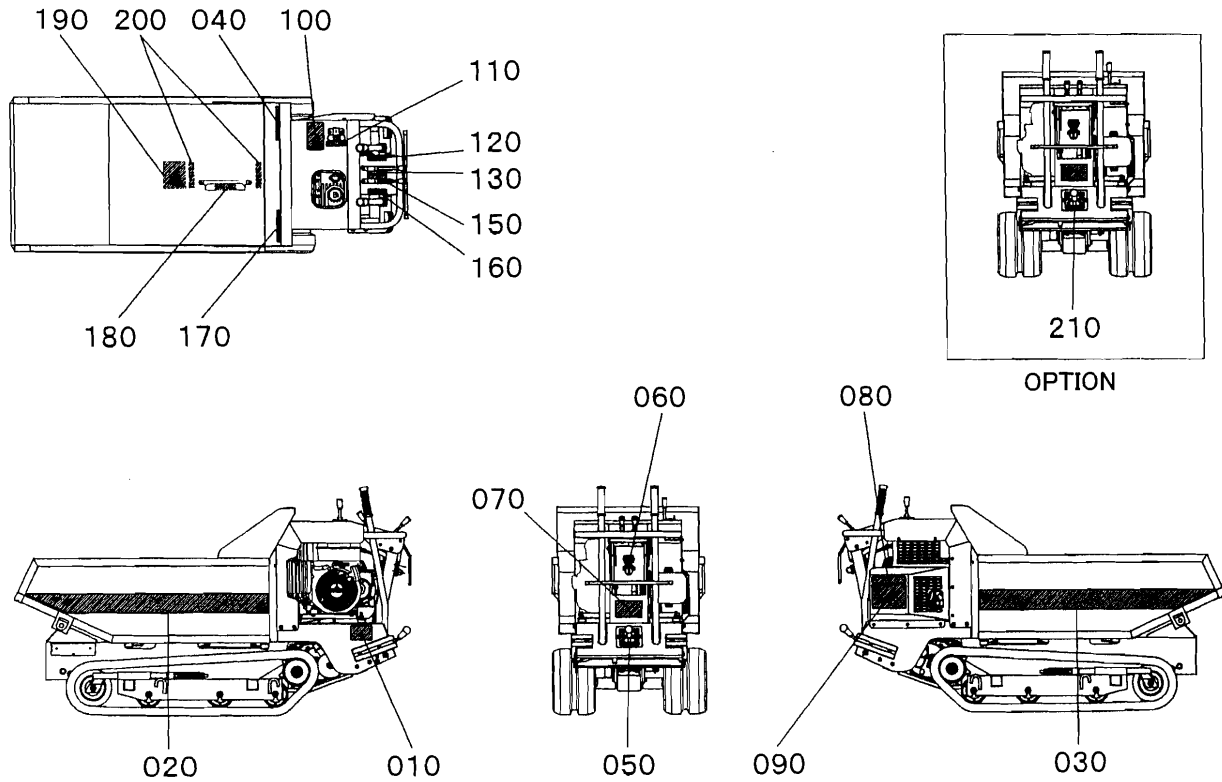
REF No. POS.No. BILD-Nr.	PARTS NO	PARTS NAME	Q'TY/S.No. Q'TE/No.S. STUECK/S.Nr.	I.C.	REMARKS REMARQUES BEMERKUNGEN
			A		
010	89911-1197-0	CRAWLER, RUBBER	2		200 x 34 x 72
020	89910-1274-0	SPROCKET	2		
030	04013-50160	WASHER, PLAIN	2		
040	89910-1276-0	NUT	2		
050	05511-50430	SPLIT PIN	2		
060	89954-1200-0	ASSY ROLLER, TENSION	2		
070	89911-1201-2	ASSY WHEEL, IDLER UNDER	6		
080	89911-2119-0	TENSION, CRAWLER LH	2		
090	89911-2120-0	TENSION, CRAWLER RH	2		
100	02056-50160	NUT	4		
110	04512-50160	WASHER, SPRING	4		
120	H240Z-21370	JOINT, SHAFT	2	←	~062624
120	H2600-21371	JOINT, SHAFT	2	←	062625~
130	89911-1210-0	SPRING, TENSION	2		
140	89911-1211-0	BOLT, TENSION	2		
150	02056-50120	NUT	6		
160	04512-50120	WASHER, SPRING	2		
170	89911-1212-0	WASHER, TENSION	2		
180	B3220-11140	U BOLT	2		
190	04512-50100	WASHER, SPRING	4		
200	89910-1180-0	NUT	4		

Fig. 7 BUCKET

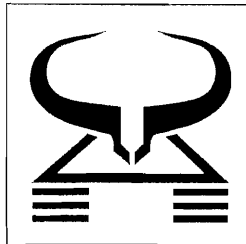


REF No. POS.No. BILD-Nr.	PARTS NO	PARTS NAME	Q'TY/S.No. Q'TE/No.S. STUECK/S.Nr.	I.C.	REMARKS REMARQUES BEMERKUNGEN
			A		
010	H2600-71113	BUCKET	1		
020	H2400-71172	SHAFT, BUCKET	1		
030	04613-00150	CIR-CLIP	1		E-15
090	H413Z-71620	PUN	1		
100	H413Z-71610	STOPPER	1		
110	W9900-01008	R-PIN	3		

Fig. 8 LABEL



REF No. POS.No. BILD-Nr.	PARTS NO	PARTS NAME	Q'TY/S.No.	I.C.	REMARKS REMARQUES BEMERKUNGEN
			Q'TE/No.S. STUECK/S.Nr.		
			A		
010	H2620-96910	LABEL, SERIAL NO	1		
020	H2620-0E090	STRIPE LH	1		
030	H2620-0E100	STRIPE RH	1		
040	89910-1501-0	LABEL, LOADING CAPACITY	1		500KGS
050	H240Z-94120	LABEL, SHIFT (R2 TYPE)	1		
060	89955-1219-0	LABEL, KEY SWITCH	1		
070	89956-1290-0	LABEL, CAUTION (SHIFTING)	1		
080	89910-1502-0	LABEL, CAUTION	1		
090	89914-0016-0	LABEL, START CAUTION	1		
100	89910-1496-0	LABEL, CAUTION (DUMPING)	1		
110	89911-1484-0	LABEL, DUMP	1		
120	84130-94080	LABEL, SIDE CLUTCH	1		RIGHT
130	84130-94050	LABEL, CLUTCH	1		
140	-----	BLANK	-		
150	84130-94060	LABEL, BRAKE	1		
160	84130-94070	LABEL, SIDE CLUTCH	1		LEFT
170	H2100-94600	LABEL, WINBULL	1		
180	89910-1554-0	LABEL, CAUTION (BATTERY)	1		
190	89910-1553-0	LABEL, CAUTION (DUMP SUPPORT)	1		
200	H2620-71840	LABEL, CUSHION	2		
210	H2620-94130	LABEL, SHIFT (R1 TYPE)	1		OPTION



WINBULL YAMAGUCHI CORPORATION

Overseas Division

397, Tojitsu, Kato-city, Hyogo-pref. 673-1434, Japan
Telefax: +81-795-40-2412 Telephone: +81-795-42-1066